



CONTINUAL PROGRESSION

Erfolgreiche Zusammenarbeit PARTsolutions mit AVEVA

Christoph Fedler

Technical Manager, Central Europe



www.aveva.com

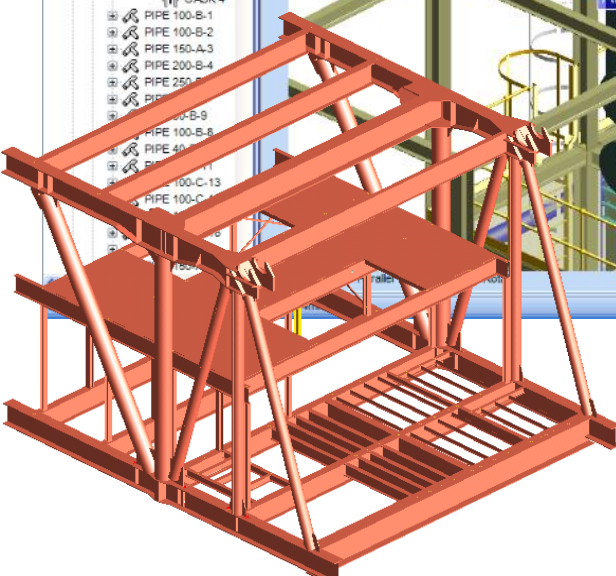
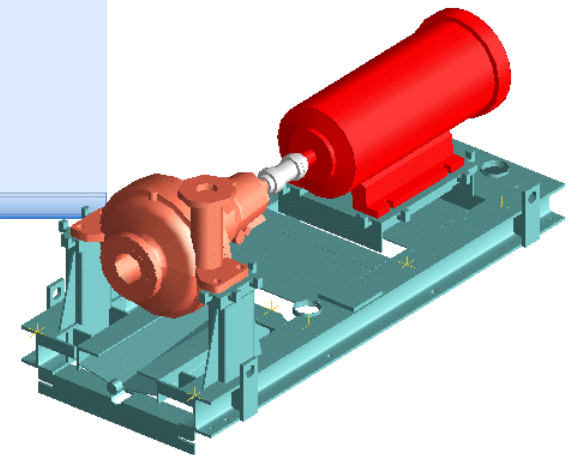
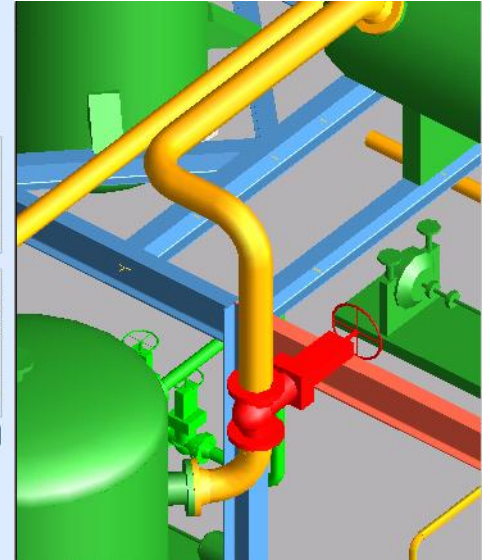
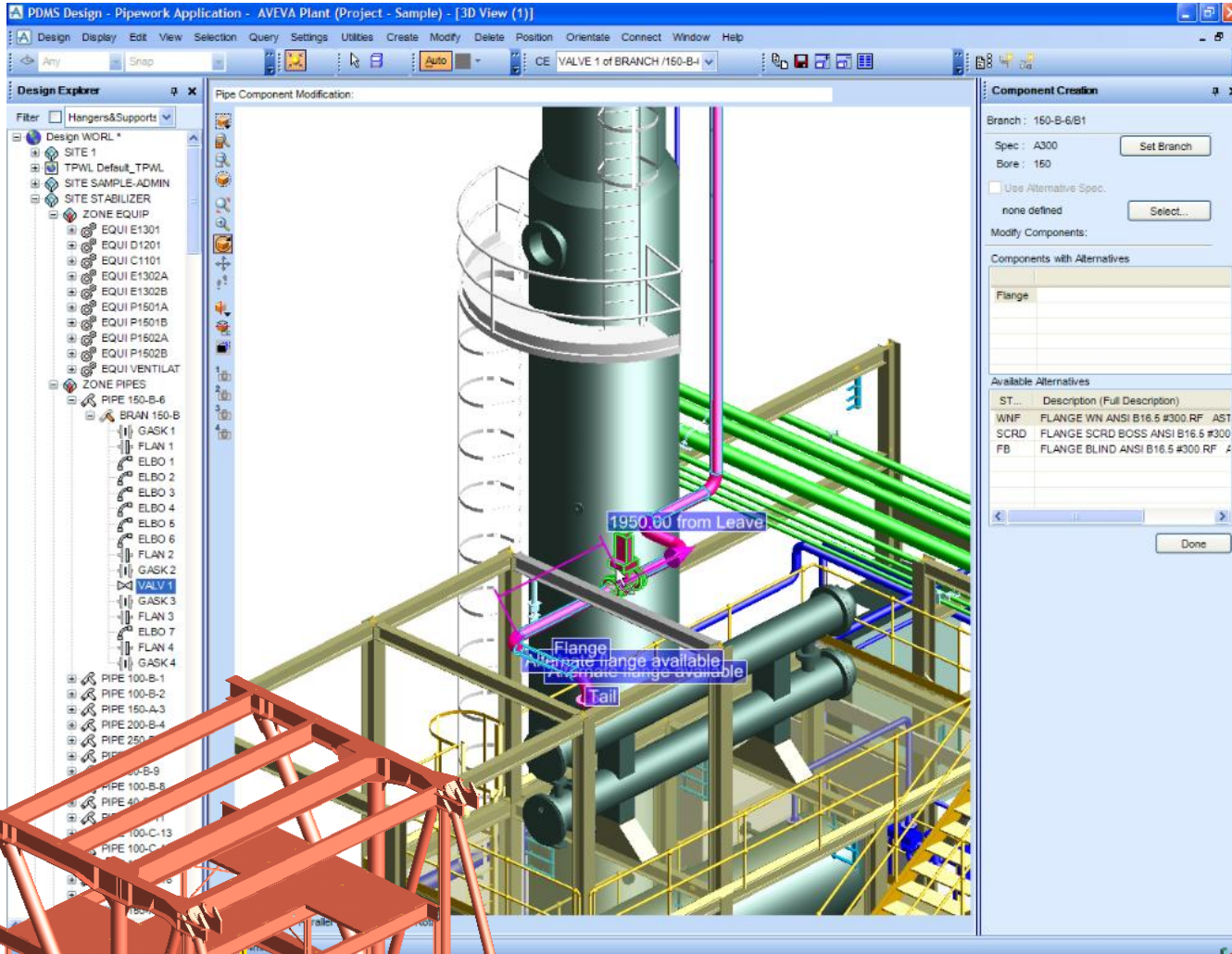
Wer wir sind...

AVEVA:

einer der weltweit führenden Anbieter von Engineering IT Lösungen für Design, Engineering und Informationsmanagement für



AVEVA PLANT: PDMS



PDMS: 3D Planungswerkzeug im Anlagenbau



- Über 1400 Kunden weltweit in zahlreichen Industriesegumenten
- Bewährte Technologie
 - über 30 Jahre im Markt
 - erfolgreiche Projektabwicklung
 - Werkzeug für Anlagenplaner
- Objektorientierte Datenbank
- Benutzerfreundlich & technologisch führend
- Kontinuierliche Weiterentwicklung

AVEVA MARINE – Planung & Bau von Schiffen



AVEVA MARINE: Outfitting

Outfitting Design - Pipework - AVEVA Marine (Project - AKM) - [3D View (1)]

Design Display Edit View Selection Query Settings Utilities Create Modify Delete Position Orientate Connect Window Help P&ID-3D-Integrator

No list Fuel_Oil_System_Diagram Page-1 Auto Solid CE HFLANG 1 of HPANEL /KM50

(D) Aveva Default Setting

Design Explorer P&ID 3D Integrator Schematic... Fuel_Oil_System_Diagram Page-1

Filter Hangers&Supp

- HFLANG 1 A
- HBRCKT 1 A
- HBRCKT 2 A
- HBRCKT 3 A
- HBRCKT 4 A
- HBRCKT 5 A
- HBRCKT 6 A
- HBRCKT 7 A
- HBRCKT 8 A
- HBRCKT 9 A
- HBRCKT 10
- HBRCKT 11
- HBRCKT 12
- HCURVE 1
- HCURVE 2
- HCURVE 3
- HCURVE 4
- HCURVE 5
- HPANEL KM501-H
- HPANEL KM501-H
- HPANEL KM501-H
- HPANEL KM501-H
- HPANEL KM501-H
- HPANBO 1
- HPANBO 2
- HPANBO 3
- HPANBO 4
- HPANBO 5
- HPANBO 6
- HPANBO 7
- HPANBO 8
- HPANBO 9
- HPLATE 1 K
- HNOTCH 1
- HNOTCH 2
- HNOTCH 3
- HNOTCH 4
- HNOTCH 5
- HNOTCH 6
- HSTIFF 1 K
- HCURVE 1
- HCURVE 2
- HPANEL KM501-H
- HPANEL KM501-H
- HPANEL KM501-H
- HPANEL KM501-H
- HPANEL KM501-H

Mating Table

Navigate :

e45n35d Parallel Model Rotate Slow

P&ID 3D Integrator Main Table - Default Equipment Layout

| NAME | TYPE | OWNER | DESC | FUNC | PURP | NUMB | AREA | POS | ORI | BUIL | ISPE | DSCO | PTSP | INSC | SKEY |
|-----------------------|------|------------------|-------|-------|-------|------|------|-------------------|-------------------|-------|--------|-------|-------|-------|-------|
| /KM-212-5725002 | EQUI | /Ventilation_212 | unset | unset | unset | 0 | 0 | X 0mm Y 0mm Z 0mm | Y is Y and Z is Z | false | Nulref | unset | unset | unset | unset |
| /KM-212-5725003/DIUP1 | EQUI | /Ventilation_212 | unset | unset | unset | 0 | 0 | X 0mm Y 0mm Z 0mm | Y is Y and Z is Z | false | Nulref | unset | unset | unset | unset |

Total Items = 753

AVEVA MARINE: Planungswerkzeug für Werften

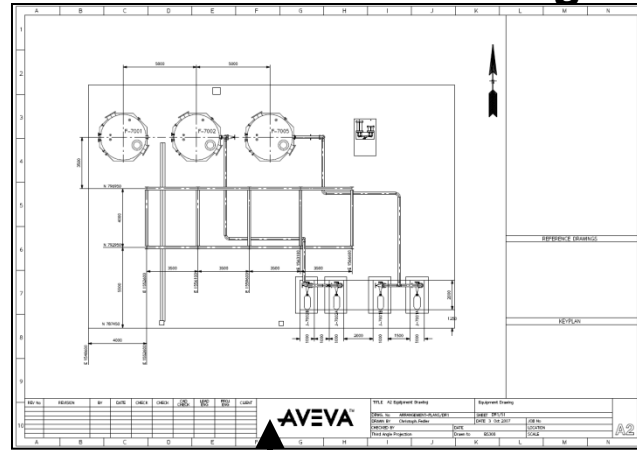
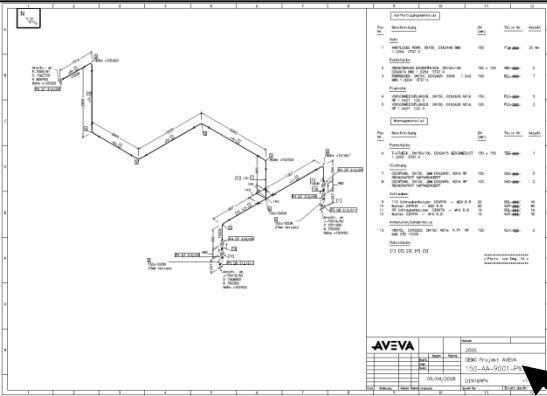


- **500+** Werften & Ingenieurbüros
- **85 %** der 50 größten Schiffbauer
- **Bewährt** seit über 30 Jahren
- Kontinuierliche Entwicklung
- Objektorientierte Datenbank
- Benutzerfreundlich & technologisch führend

Plant & Marine: Zentraler Zugriff auf die Planungsdaten

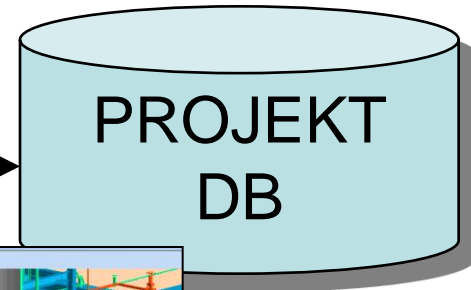
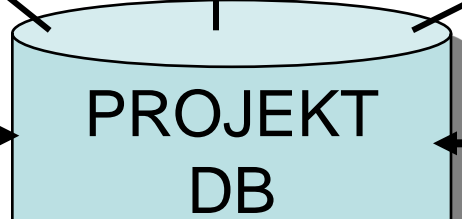
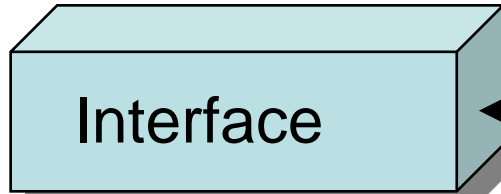
Fließbilder & Zeichnungen

Isometrien

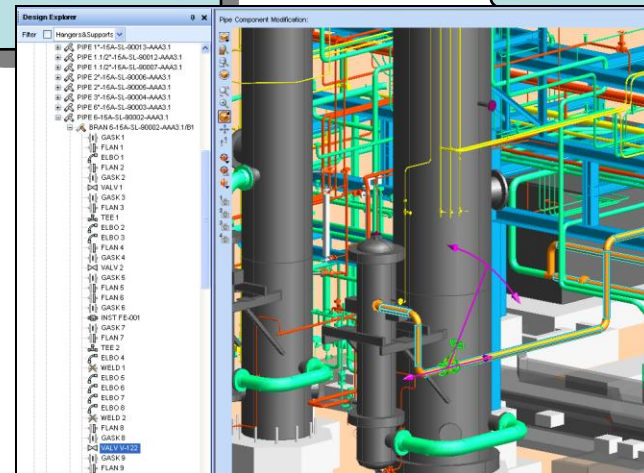
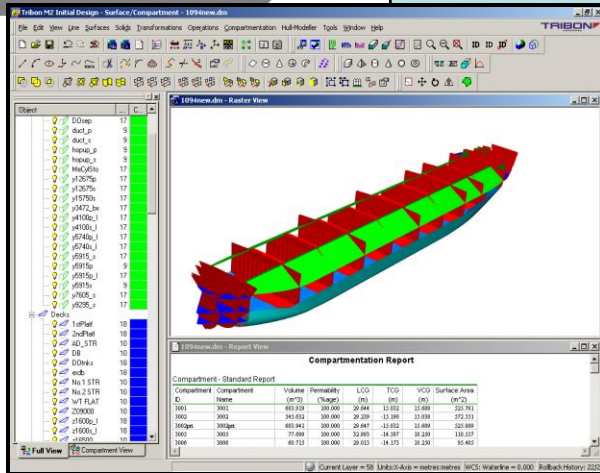


Listen & Materialauszüge

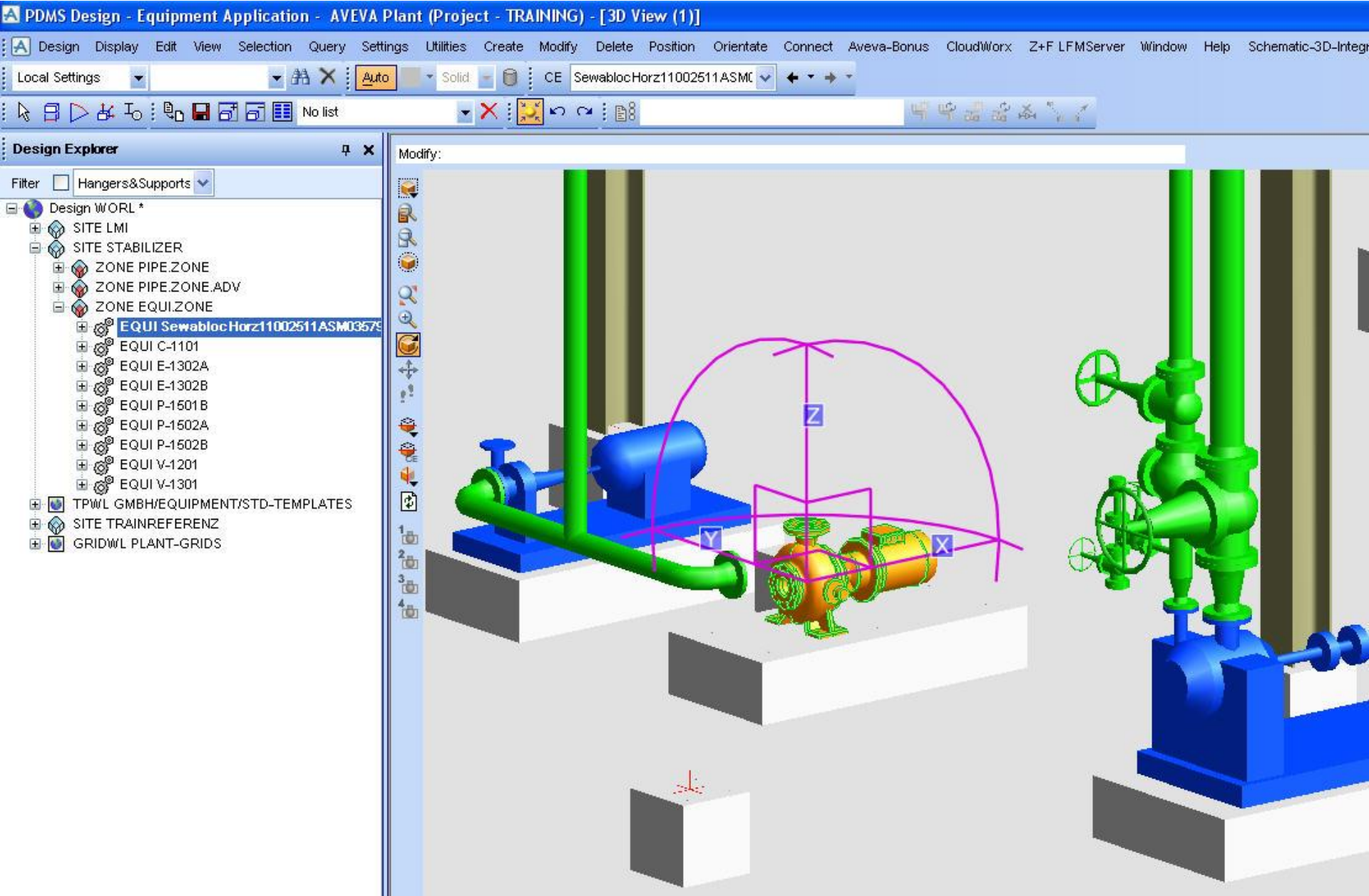
| | A | B | C | |
|----|---------|------|--------------|-----------------|
| | NAME | TYPE | FUNKTION | |
| 1 | /F-7001 | EQUI | CAUSTIC | E 1551000mm N 8 |
| 2 | /F-7002 | EQUI | CAUSTIC | E 1556000mm N 8 |
| 3 | /F-7005 | EQUI | CAUSTIC | E 1561000mm N 8 |
| 4 | /F-8002 | EQUI | REGENERATOR | E 1510000mm N 8 |
| 5 | /F-8003 | EQUI | AMINE | E 1544000mm N 7 |
| 6 | /F-8004 | EQUI | CAUSTIC | E 1530000mm N 7 |
| 7 | /F-8005 | EQUI | WASH.WATER | E 1510000mm N 7 |
| 8 | /F-8006 | EQUI | CAUSTIC | E 1544000mm N 7 |
| 9 | /F-8007 | EQUI | REGEN.REBOIL | E 1507000mm N 8 |
| 10 | /F-8007 | EQUI | REGEN.REBOIL | E 1507000mm N 8 |
| 11 | /F-8008 | EQUI | NEUTRALIZING | E 1530000mm N 8 |



Global



AVEVA & CADENAS: Import von Bauteilen



PDMS & Outfitting: Kataloge für alle Gewerke

**Bau & Stahlbau
Katalog**

Apparate Katalog

**Rohrleitungs
Katalog**

Kabel Katalog

HVAC Katalog

Specification: /CADCHVACSPEC (CAD view)

CADCHVACSPEC Headings: BEND

| Name | PBOR0 | STYP | Part Ref | Catalogue Ref | Detail Ref | Material Ref |
|----------------------|-------|------|----------|---------------|------------|---------------------------|
| /CADCHVACSPEC/RSBEND | BEND | 0 | RSBE | =0/0 | RSBEND | Rectangular Square Bend |
| /CADCHVACSPEC/RRBEND | BEND | 0 | RRBE | =0/0 | RRBEND | Rectangular Radiused Bend |
| /CADCHVACSPEC/CRB | | | | | | |
| /CADCHVACSPEC/C3SE | | | | | | |
| /CADCHVACSPEC/C5SE | | | | | | |
| /CADCHVACSPEC/C4SE | | | | | | |
| /CADCHVACSPEC/F3SE | | | | | | |
| /CADCHVACSPEC/F3SE | | | | | | |
| /CADCHVACSPEC/F4SE | | | | | | |
| /CADCHVACSPEC/F4SE | | | | | | |
| /CADCHVACSPEC/F5SE | | | | | | |
| /CADCHVACSPEC/F5SE | | | | | | |

Items = 12

HVAC Rectangular Ductwork

Control

Tasks

- Specification
- Edit Spec Atts...
- Edit CAD Atts...
- Rename Spec...
- Export...

Tables

- Size Ra
- Branch
- Reduce

Tasks

- Specification
- Edit Spec Atts...
- Edit CAD Atts...
- Rename Spec...
- Export...

AVEVA

CONTINUAL PROGRESSION



www.aveva.com