

Creating a system with ELEMENT and 869x

The screenshot shows the Bürkert Fluid Control Systems documentation portal in Microsoft Internet Explorer. The browser address bar displays <http://buerkert.partcommunity.com/PARTcommunity/index.jsf?pageid=64888>. The page features a navigation menu with 'Katalog', 'CAD MODELLE', and 'Einstellungen'. The 'Katalog' sidebar lists various valve and positioner models. The main content area is titled 'Symbole' and contains a 'Variablen' section with a list of configuration parameters for a valve. The parameter 'ANTYV (Vorbereitet für Ansteuerung Typ ...): 8694' is highlighted with a red box. Below this list is a 'Legende' section and an 'Aktionen' section with buttons for 'Generiere CAD MODELL' and 'Generiere Vorschau'. On the right side, there is a 'Vorschau' section showing a 3D model of the valve and positioner assembly. Below the preview is a 'Generierte CAD MODELLE' section with a list of generated models and buttons for 'Zum Download' and 'Löschen'. The bottom of the page shows the 'Internet' logo.

Download valve and positioner from PARTserver

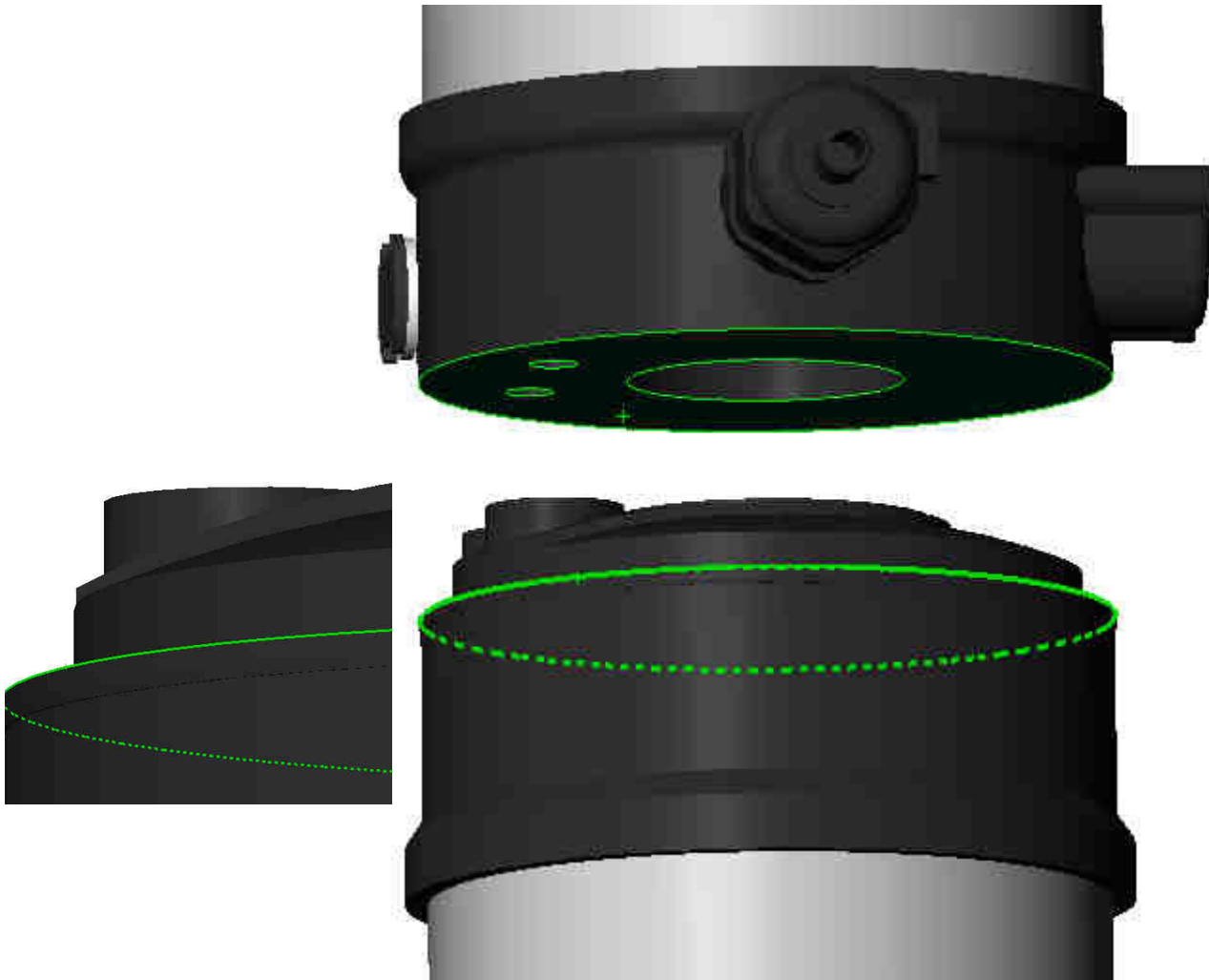
1. Save valve and positioner in an assembly at your CAD system and align them concentric to each other



2. combine concentric



3. combine congruent



4. READY!

